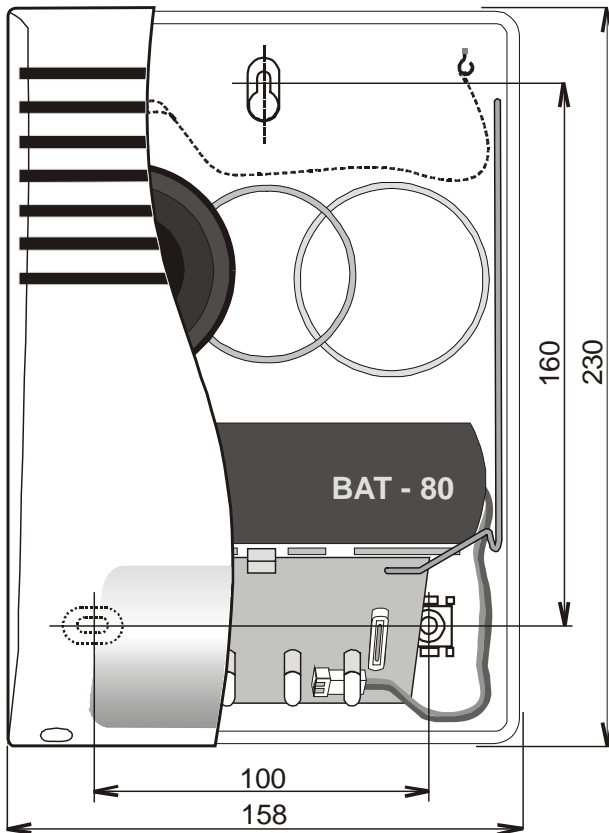


The JA-80A wireless outdoor siren

The JA-80A is a component of Jablotron's Oasis 80 system. It is designed to sound an external alarm and to indicate any tampering it experiences. It is powered by a long-life lithium battery and communicates wireless using Jablotron Oasis protocol.



Installation

The siren should be installed by a certified installer. It should be located on a vertical wall with its flashing light facing downwards. The siren should not be shielded by any metal which could block radio communication.

1. **Open the siren cover** (2 screws on the bottom side)
2. **Attach the siren** to the desired location (3 screws)
3. Select the desired **optional features via the internal jumpers** (see the following description)
4. **Enroll the siren to the control panel** as follows:
 - a) Set the control panel to Service mode and **key in 1** to enter enrollment mode (the desired address can be selected by using the arrow keys)
 - b) **Connect up the battery** cable in the siren – (the light will flash and after a while it will turn off = enrollment finished)
 - c) **Exit enrollment mode** by pressing the # key
5. **Reinstall the external cover**

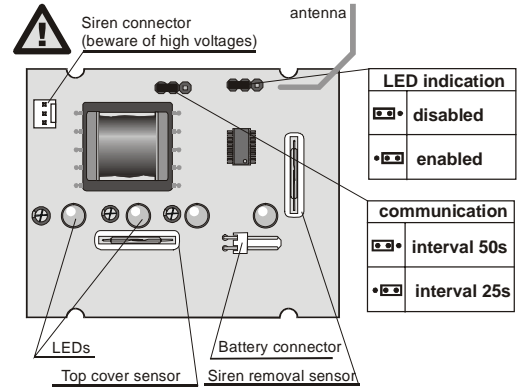
Notes:

- Multiple sirens can be enrolled to the control panel
- If the siren **continues flashing** it has not been enrolled – check if the control panel is in enrollment mode and if it has its antenna connected. The siren should be at least 2 meters away from the control panel during enrollment.

Jumpers

50 / 25 selects how often the siren checks the status of the system. In normal operation the siren saves battery power by turning its receiver off. It then turns on again periodically to check for alarms in the system every 25 or 50 seconds (selectable). The 50 second period not only extends the siren's maximum reaction delay but also its battery life.

LED ON / OFF enables short flashes of the siren every 60 seconds (= position ON). If OFF is selected, the siren will flash only while indicating an alarm.



Function

If there is an external alarm in the control panel, the siren will start sounding and flashing (can be delayed – see the 50/25 jumper). The siren will sound for a maximum of 3 minutes (unless the control panel alarm period is shorter) and its light will flash 30 minutes longer. Siren indication can also be stopped by ending the alarm in the control panel.

If tampered with, the siren will send a tamper signal to the system

Warning – beware of electrical shocks when the siren sounds (it generates a high AC voltage – do not touch any internal parts). Switch the system to Service mode before performing any maintenance on the siren. Remember, that the siren can start sounding and flashing anytime when its battery is connected.

Testing

If you trigger an external alarm in the system, the siren should start working within 25 (or 50) seconds.

To measure the siren's signal strength select signal measurement mode in the control panel and activate the siren tamper sensor by opening its cover.

Battery replacement

The siren checks its battery status and if it is going to be discharged soon it will inform the system (which will notify the user and service technician). The siren will continue to work, but its battery should be replaced within 2 weeks. Only use a Jablotron BAT-80 battery as a replacement.

Never try to charge the battery. When disposing of the used battery always follow local regulations.

Removing the siren from the system

If you want to uninstall the siren, do not forget to erase it in the control panel to avoid any indication of lost communication with the siren.

Specifications

| | |
|---|--|
| power | lithium battery BAT-80 Jablotron 6 V, 11 Ah |
| battery life time | calculated for max 3 years (50 sec supervision) |
| communication band | 868 MHz, Oasis protocol |
| communicating distance | up to 300m (open area) |
| siren | piezo electric, 112 dB/1m |
| max. duration of the audible alarm | 3 minutes |
| max. duration of flashing during alarms | 30 minutes |
| enclosure (EN 60529) | IP34D |
| EN 50131-1, EN 50131-4, EN 501321-5-3 grade | 2 |
| working temperature | -25 to +60°C |
| operating environment | class IV |
| dimensions, weight | 230 x 158 x 75 mm, 850 g |
| Complies with | ETSI EN 300220, EN 50130-4, EN 55022, and EN 60950-1 |
| can be operated according to | ERC REC 70-03 |



JABLOTRON ALARMS hereby declares that the JA-80A is in compliance with the essential requirements. The original of the conformity assessment can be found at www.jablotron.com, Technical Support section



Note: Although this product does not contain any harmful materials we suggest you return the product to the dealer or directly to the producer after use.

JABLOTRON
CREATING ALARMS

JABLOTRON ALARMS a.s.
Pod Skalkou 4567/33
46601 Jablonec nad Nisou
Czech Republic
Tel.: +420 483 559 911
Fax: +420 483 559 993
Internet: www.jablotron.com