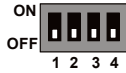


The JA-82K and JA-80K difference sheet

1.1. Modular system

- The JA-82K main board provides 4 wired inputs. Unused inputs are not balanced via resistors in terminals. Instead, they must be switched OFF via DIP switches:



- JA-82K control panel modularity allows custom assembly. Modules can be plugged in according to whether they are necessary for the particular installation.
 - The JA-82C wired input extension module provides 10 additional wired inputs. Unused inputs must be switched off by DIP switch, as with main board inputs.
 - The JA-82R radio module provides wireless connectivity, e.g. for wireless detectors.
 - Up to 50 devices can be enrolled to the control panel (including hardwired inputs).

1.2. Wired input connection

- Wiring the terminals can be done as with the JA-80K. A loop must be balanced via a 1kΩ resistor wired in series with detectors. Every activation contact must be wired in parallel to a 1kΩ resistor.
- A single loop allows up to 5 detectors to be wired. However, it is recommended to use only one detector in one loop so that the precision of locating alarm sources is not affected.

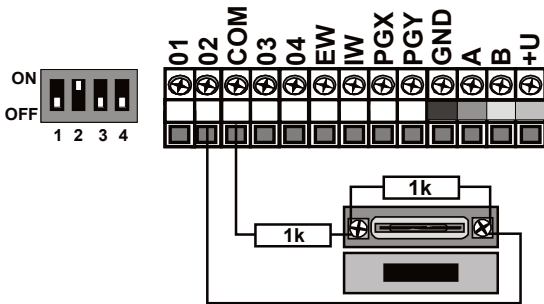


Fig. 1: Wiring an SA-200 magnetic detector

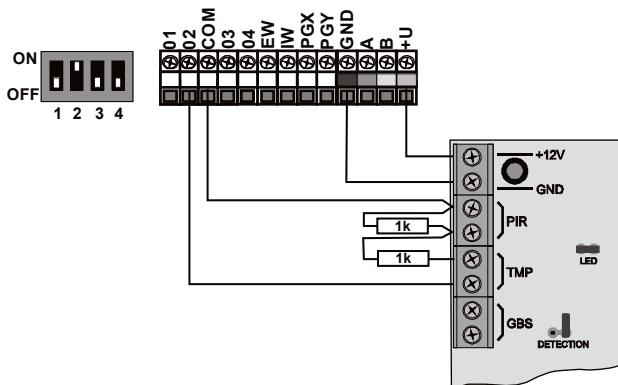


Fig. 2: Wiring a JS-20

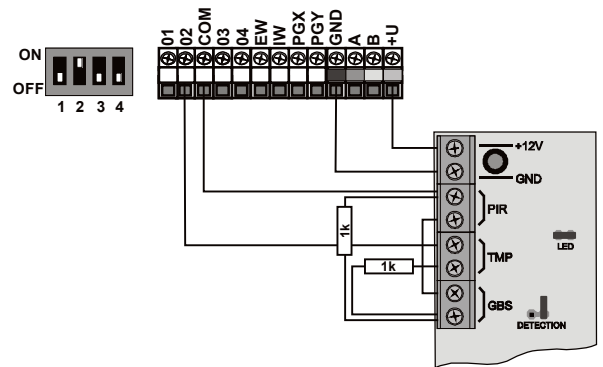


Fig. 3: Wiring a JS-25 in one loop

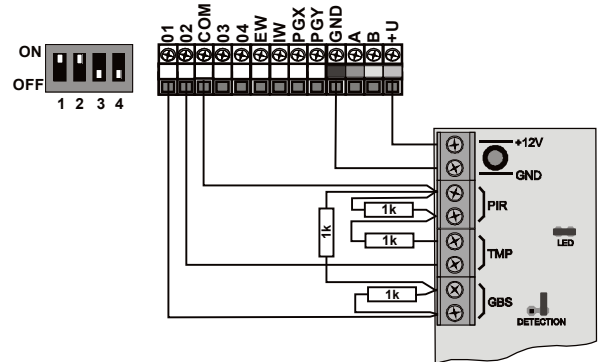
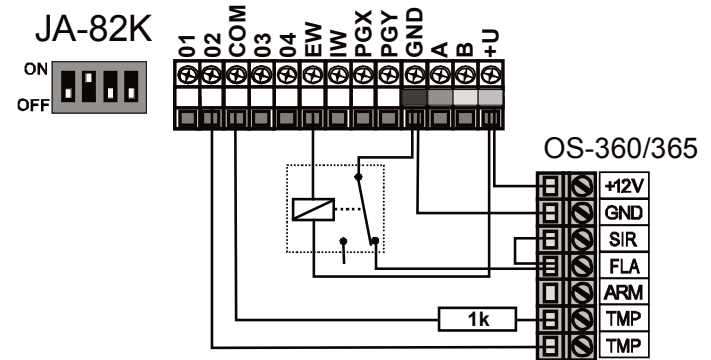


Fig. 4: Wiring a JS-25 in two loops

1.3. Wiring an external siren

The EW (external warning) output switches to GND during alarms (as opposed to the JA-80K). As the primary option for the JA-82K control panel, an external siren of the type OS-360A/365A has been designed. Wiring the OS-360/365 siren **requires a relay to be connected** in the circuit such that the siren input activation logic is properly adjusted.



1.4. Backing up the system

The control panel can be equipped with a 1.3 Ah to 2.6 Ah backup battery. Before system installation, consumption of particular devices should be taken into consideration. Should the detector consumption significantly shorten the back-up time, it is appropriate to use a battery with a greater capacity positioned in an external case with a protected connection.

1.5. Configuration and programming

Use the OLink software for JA-82K programming. The current version is downloadable from www.jablotron.com, in the Download/Software section.